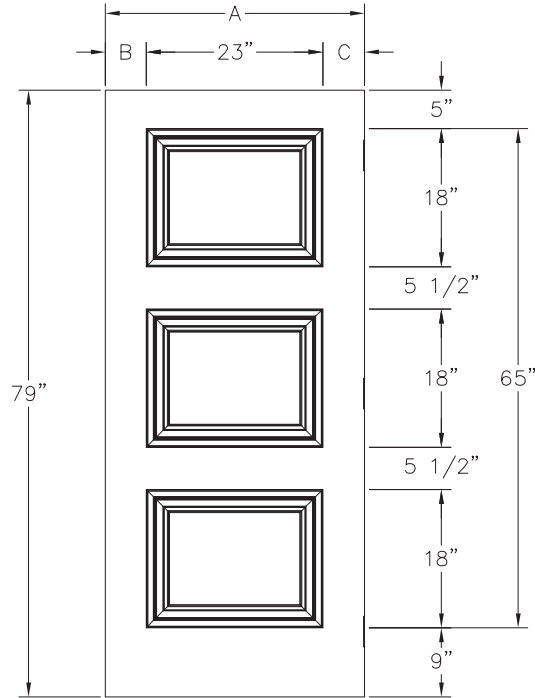
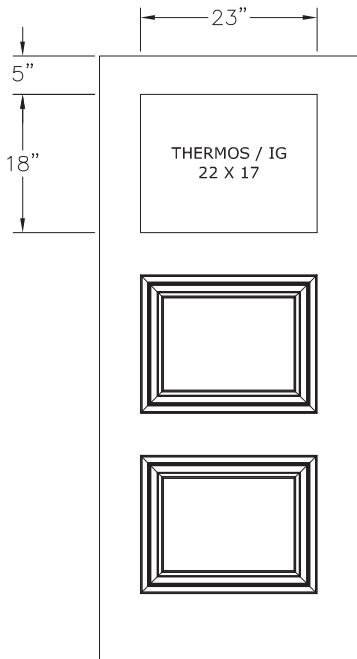


| | | | | | | |
|---|---|---|--------------------|--------------------|--------------------|---|
| | | | 2'8" | 2'10" | 3'0" | |
| A | A | A | A 31 3/4" | A 33 3/4" | A 35 3/4" | A |
| B | B | B | B 4 5/16" | B 5 5/16" | B 6 5/16" | B |
| C | C | C | C 4 7/16" | C 5 7/16" | C 6 7/16" | C |
| | | | XX-069-005-001-XXX | XX-069-010-001-XXX | XX-069-015-001-XXX | |



OUVERTURE SUGGÉRÉE / SUGGESTED CUT-OUT



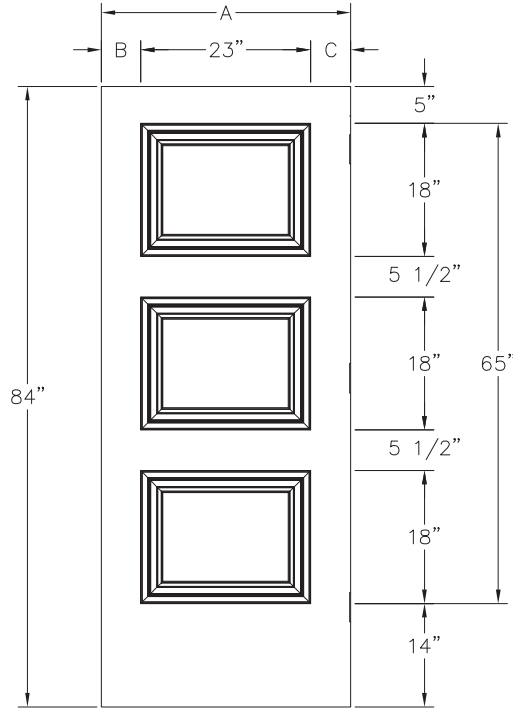
DESCRIPTION

(6'8") Sydney (PS)

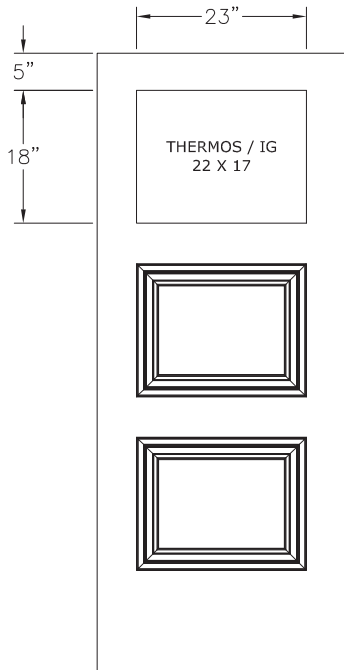
VERSION

02

| | | | | | | |
|----------|----------|----------|--------------------|--------------------|--------------------|----------|
| | | | 2'8" | 2'10" | 3'0" | |
| A | A | A | 31 3/4" | 33 3/4" | 35 3/4" | A |
| B | B | B | 4 5/16" | 5 5/16" | 6 5/16" | B |
| C | C | C | 4 7/16" | 5 7/16" | 6 7/16" | C |
| | | | XX-069-158-001-XXX | XX-069-159-001-XXX | XX-069-160-001-XXX | |



OUVERTURE SUGGÉRÉE / SUGGESTED CUT-OUT



DESCRIPTION

(7'0") Sydney (P12)

VERSION

02